

CHRISTY & NORRIS ESSEX MAJOR

THE ESSEX MAJOR IS A VERY POPULAR WELL PROVEN SMALL FEED MILL SUITABLE FOR FARM APPLICATIONS

TYPICAL APPLICATIONS

- Grinding of cereals for livestock feed, pet food and aquatic feed

FEATURES

- The Essex Major is designed for grinding cereal for animal feed. The mill has a cast body and is available with 4 drives from 2.2.kW to 7.5kW)
- A fan is available to convey ground material over 25 metres if required, with airflow controlled via an adjustable damper incorporated into the front mill housing
- The top suction feed hopper incorporates a stone and metal trap and also an automatic cut-out which switches off the mill when the flow of grain ceases.
- The motor is mounted on a hinged platform to maintain correct belt tension. The double ended reversible swing hammers have four wearing corners.
- The main shaft runs in ball and roller bearings at 6000 & 7000rpm depending on motor power. All parts are easily replaced, especially hammers and circular perforated screens.

REPLACEMENT WEAR PARTS

- To guarantee reliability and performance it is imperative to use genuine parts. All Christy Turner replacement parts are guaranteed to be manufactured from the most suitable wear materials and to the correct dimensional specification.

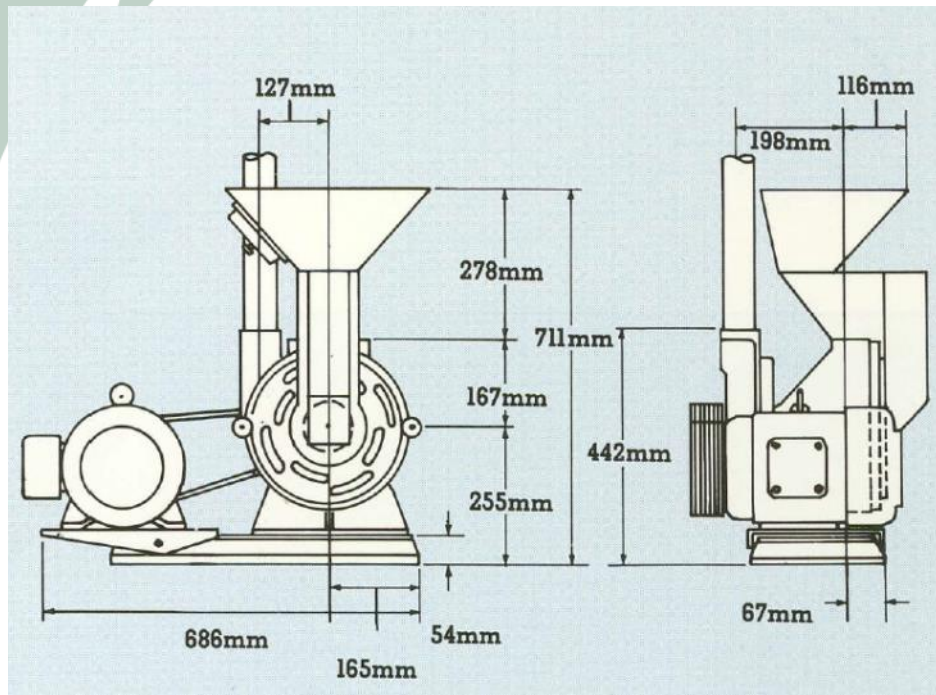


T +44 (0)1473 742325
F +44 (0)1473 462773
E info@christy-turner.com
W www.christy-turner.com

Christy Turner Ltd
Knightsdale Road
Ipswich
Suffolk
IP1 4LE
England

CHRISTY & NORRIS ESSEX MAJOR

MODELS & SIZES



| Model | kW | RPM | No Hammers | Screen Area m ² | Weight (kg) | Size of inlet (mm) | Size of discharge opening |
|-------|-------|------|------------|----------------------------|-------------|--------------------|---------------------------|
| ESSEX | 2-7.5 | 6000 | 6 | 0.038 | 160 Kg | Dia 132 | Dia 70 |

OUTPUT

- The output of the mill depends on the cereal being ground, the screen hole diameter and the power of the motor. The following table provides a guide for capacity based upon a 14% moisture content.

| Cereal | Screen size (mm) | kilos per hour | | | |
|--------|------------------|----------------|---------|---------|---------|
| | | 7.5kW | 5.5kW | 4.1kW | 2.2kW |
| Maize | 1.5 | 356-406 | 267-305 | 178-203 | 102-127 |
| | 3.0 | 508-610 | 381-457 | 254-305 | 203-229 |
| Barley | 1.5 | 203-254 | 152-191 | 102-127 | 64.76 |
| | 3.0 | 356-406 | 267-305 | 178-203 | 102-114 |
| Wheat | 1.5 | 203-305 | 152-229 | 102-152 | 64-89 |
| | 3.0 | 406-508 | 305-381 | 203-254 | 127-152 |



T +44 (0)1473 742325
 F +44 (0)1473 462773
 E info@christy-turner.com
 W www.christy-turner.com

Christy Turner Ltd
 Knightsdale Road
 Ipswich
 Suffolk
 IP1 4LE
 England