

# CHRISTY & NORRIS HEAVY DUTY PULVERIZER

THE PULVERIZER IS A UNIQUE, ROBUST, VERY HEAVY DUTY MILL WITH REPLACEABLE LINERS IDEAL FOR MANY ARDUOUS SIZE REDUCTION APPLICATIONS AND HARD & ABRASIVE MATERIALS

## TYPICAL APPLICATIONS

- Size reduction of particularly harsh materials including limestone, glass, swarf, plasterboard, shells and ceramics
- Reclaiming waste products for reprocessing
- Wood hogging and biomass applications including rape seed meal, miscanthus, willow billets, straw, grasses, palm kernel and wood pellets



## FEATURES

- Heavy duty construction, proven to offer a long working life with minimal maintenance and cost-effective operation
- Specially hardened, thick section swinging beaters held in place with rigid pins ride heavy shock loads before returning to the grinding position
- The inner body shell is lined throughout with replaceable liners according to duty required. Heavy duty breaker blocks assist in the grinding process by redirecting material into the path of the beaters
- High top version for processing materials that increase in volume when pulverized
- Material is reduced in size by the shattering blows of the beaters
- The beaters are secured with rigid pins to the sectional rotor
- Perforated plate or wedge-bar semi-circular interchangeable screens determine maximum product particle size. These are inserted through the top front doors and slide in grooves cast in the side of the pulverizer
- A tramp trap incorporated on certain models allows solid items to be thrown out of the grinding chamber. This avoids damage to beaters and screens and prevents contamination of the finished product

## BENEFITS

- Extremely tough, resilient machine
- Three basic models with 18", 24" and 30" rotor diameters available in a variety of widths
- Range of motors and drives from 15 to 200kW

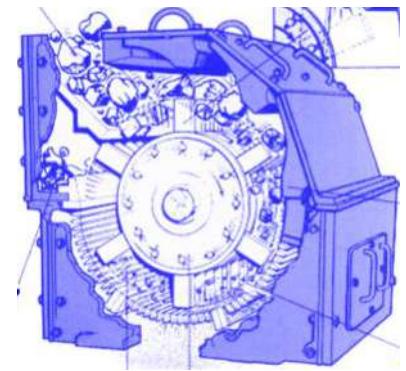
A range of different beater thicknesses and profiles depending on the product being processed

## PRODUCT TRIALS

- In most cases expert advice on the capability of processing materials can be offered from Christy Turner's library of test reports. Demonstrations are available on request

## REPLACEMENT WEAR PARTS

- To guarantee reliability and performance it is imperative to use genuine parts. All Christy Turner replacement parts are guaranteed to be manufactured from the most suitable wear materials and to the correct dimensional specification



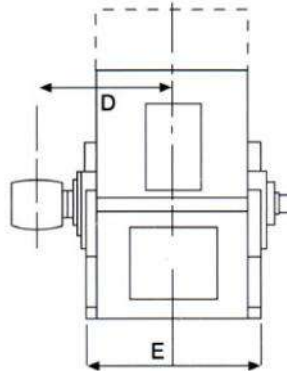
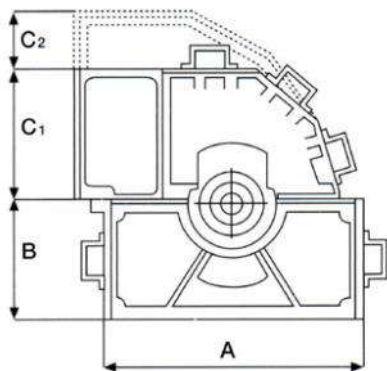
T +44 (0)1473 742325  
F +44 (0)1473 462773  
E [info@christy-turner.com](mailto:info@christy-turner.com)  
W [www.christy-turner.com](http://www.christy-turner.com)

Christy Turner Ltd  
Knightsdale Road  
Ipswich  
Suffolk  
IP1 4LE  
England

# CHRISTY & NORRIS HEAVY DUTY PULVERIZER

## MODELS & SIZES (EXCLUDING BEDPLATE)

Model	kw	RPM	No Hammers	Screen Area m <sup>2</sup>	Dimensions in mm						Weight including Motor (Kg)	Size of inlet (mm)	Size of discharge opening (mm)
					A	B	C1	C2	D	E			
18 x 8	15	3500	12	0.12	724	317	416	146	364	464	750	200 x 130	648 x 305
18 x 12	22	3500	18	0.19	724	317	416	146	437	610	1000	362 x 130	648 x 406
24 x 12	30	2500	27	0.33	965	432	495	216	492	648	1500	375 x 146	864 x 375
24 x 16	45	2500	36	0.44	965	432	495	216	584	749	1750	476 x 146	864 x 476
24 x 24	75	2500	54	0.60	965	432	495	216	699	953	2000	679 x 146	864 x 679
30 x 30	110	2000	60	1.03	1346	508	686	-	794	1054	3300	737 x 350	1118 x 851
30 x 40	150	2000	84	1.35	1346	508	686	-	984	1308	4150	991 x 350	1118 x 1105



**SCREEN REMOVAL**

## HARDENED BEATERS



T +44 (0)1473 742325  
F +44 (0)1473 462773  
E info@christy-turner.com  
W www.christy-turner.com

Christy Turner Ltd  
Knightsdale Road  
Ipswich  
Suffolk  
IP1 4LE  
England