

E R & F TURNER FLAKING MILL ROLL FEEDER

THE ROLL FEEDER IS DESIGNED TO FIT DIRECTLY OVER OUR FLAKING MILLS TO EVENLY DISTRIBUTE A 'CURTAIN' OF GRAIN FULLY ACROSS THE WIDTH OF THE MILL



460 & 550 ROLL FEEDER

FEATURES

- Stainless steel construction
- Regulated roll speed
- Regulated gap to adjust throughput
- Viewing access to monitor flow

BENEFITS

The roll feeder sits on top of the flaking mill and is designed to evenly distribute the grains across the full width of the rolls giving an even 'curtain' of product. A gate mechanism gives a regulated throughput.

OPTIONS

- Teflon Coated or Stainless Fluted Roll

REPLACEMENT WEAR

PARTS

- To guarantee reliability and performance it is imperative to use genuine parts. All Christy Turner replacement parts are guaranteed to be manufactured from the most suitable materials and to the correct dimensional specification.
- Christy Turner offers a complete flaking mills roll service, including a full bearing service and regrinding with tapers if required. Finishes include fluted and matted

600 ROLL FEEDER



T +44 (0)1473 742325

F +44 (0)1473 462773

E info@christy-turner.com

W www.christy-turner.com

Christy Turner Ltd
Knightsdale Road
Ipswich
Suffolk
IP1 4LE
England

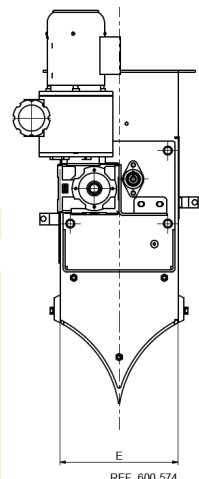
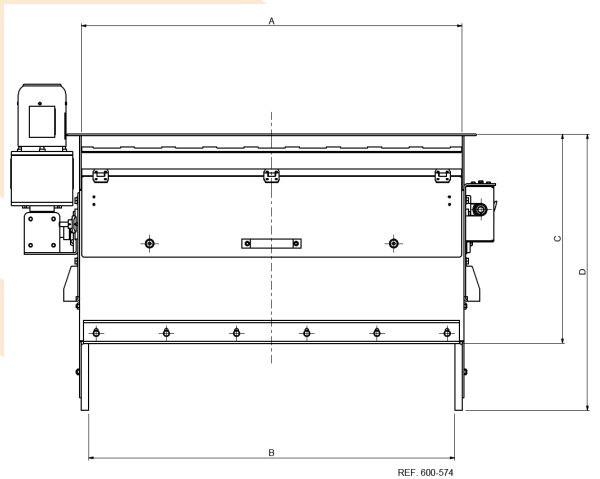
E R & F TURNER FLAKING MILL ROLL FEEDER

MODELS & SIZES

Model	Motor			C	D	Weight Feed Unit
		Inlet A	Outlet B			
460x610	kW	653	673	1308	2003	110 kg
460x760	kW	756	826	1461	2158	120 kg
460x915	kW	940	978	1613	2308	150 kg
550x750	kW					
550x1000	kW					
600x1000	kW	1000	950	685	903	
600x1250	kW	1250	1200	685	903	

All dimensions in mm & weights in kg

600 ROLL FEEDER



T +44 (0)1473 742325

F +44 (0)1473 462773

E info@christy-turner.com

W www.christy-turner.com

Christy Turner Ltd
Knightsdale Road
Ipswich
Suffolk
IP1 4LE
England